

ThermalAir TA-5000 Information Sheet

An Evolution in Localized Temperature Test Systems



The DC controlled ThermalAir TA-5000 System power adjust almost instantaneously to your temperature settings and test conditions real time. Providing precise temperature control when you need it while saving energy.



TA-5000A Thermal Head Glass Cap Enclosures, Thermal Shrouds and High Temperature Silicon Foam Insulation Rubber



Two Color Touch Screen Displays

The ThermalAir TA-5000 high capacity thermal air stream system is used for temperature testing, fast thermal cycling, and device temperature characterization of components, hybrids, modules, PCBs, and other electronic and non-electronic assemblies at precise temperature from -80°C to +225°C

Performance Plus!

- Eco-Friendly with up to 50% power energy savings
- Ultra-stable DC temperature control with Smart DC Energy efficient chiller
- Two built-in color touch screen displays, Front panel easy icons and Thermal head workstation display makes it more convenient for user
- No voltage or frequency configuration needed
 - one system worldwide
- Quiet low audible noise for engineering laboratory
- No LN₂ or Co₂ required [Built in Chiller & Air Dryer]

Features and Advantages

- Ultra Cold Temperatures are maintained at 50Hz or 60Hz .
- Thermal Head Touch Screen lets operator control temperature settings, ramp and cycle right at user test bench workstation .
- Plug-in anywhere from 200 to 250VAC. No need for user voltage re-configuration when system moved to different locations .
- Versatile Boom Arm & Stand - Extended height applications standard .
- USB and SSD for thermal file management and data logging .
- A separate temperature controlled dry air purge for keep surrounding test area frost free operation during long test times at extreme cold temperatures.
- Two User Control Modes - Standard Operator & Temperature Cycle (Temp Cycle, Ramp & Soak)
- Quick & Easy Interchangeable Temperature Head Accessories 2.5 in, 4.5 in, 5.5 in, and 7.0 inch I.D. see through glass shroud small chamber like enclosures and gas transfer flex hoses for user applications UUT
- User Interface and Operations - Remote Control Compatible Modes for existing user test programs.
 - Center Control Color Touch Screen Display
 - PC or Tablet
 - IEEE-488.2 & RS-232
 - Intranet via LAN or USB Router

Temperature Solutions **MPI Thermal** For The Future  ISO9001 Certified

Email: info@mpi-thermal.com , Web: www.mpi-thermal.com

ThermalAir TA-5000 Information Sheet

An Evolution in Localized Temperature Test Systems

Thermal Head



The ThermalAir TA-5000 Head incorporates an intuitive full function touchscreen display that is seamlessly integrated (Built-In) for use right at end user workstation or tester. With a single tap of the Thermal Head touch screen, the user can control, navigate and communicate many temperature functions. The most commonly used controls are on the screen right at your fingertips.

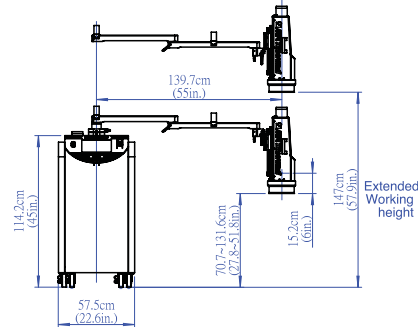
This Means easy access anytime while operating the system Hot & Cold.

- Touch enable control
- Read real time temperature
- Soak times & Dwell times
- Temperature setting
- Cycle times
- User messages & alerts
- Air flow on/ off
- Head up/ down
- And More ...

Main Screen



Dimensions & Weights



Full Inline Interface for all communication control Requirements

4 USB-Type A, 1 USB-Type B, HDMI, LAN, RS-232, T-Type, K-Type and RTD temperature sensors PLUS Auto Start Test & End of Test for automatic temperature cycling Hot-Cold-Amb. All this makes for simple control and service ability.

Specifications

Temperature Performance & Airflow Capacity

Temperature Range	-80°C to +225°C (50/60Hz same system)
Typical Temperature Transition Rate	-55°C to +125°C / +125°C to -55°C <10 sec
Temperature Accuracy	± 1.0°C (calibrated system)
Temperature Resolution	± 0.1°C
Temperature Air Output System	5 to 24 SCFM (2.4l/s to 11.3 l/s) Continuous
Temperature Control Methods	Environmental Internal Air TC and Remote External Type T, K, RTD (TC Sensors)

Note: Systems DO NOT degrade @ 50Hz or @ High Air Flow Output Rates

Facility Requirements / Dimensions & Weights / Compressed Air

Base Unit & System Weight	W=57.5cm(22.6in.), D=92.8cm(36.5in.), H=136.3cm(55.7in.) Un-packed : 265kg(584 lbs) / Packed : 395kg (870 lbs)
Portability	Static dissipative, four easy roll swivel caster wheels
Maximum Reach	139.7cm (55 in.)
Maximum & Minimum Heights	Standard:70.6-131.6cm(27.8-51.8in.)/Extended: 85.9-146.9cm(33.8-57.9in.)
Hi Temp Glass Cap Enclosures	7.0 inch I.D., 5.7 inch I.D., 5.5 inch I.D., Standard. Optional size available
Noise Level	<49 dBA average
Power	200 - 250VAC (220 Nominal), 60 / 50Hz, 30amp, 1 phase
Clean, Dry Air (CDA)	Filtered to 5µ particulate contamination Oil Content: < 0.10 ppm by weight and filtered to 0.01µ oil contaminants
Input Air Dewpoint	+10°C dewpoint or dryer@90PSI (6.2 BAR)
Input Air Pressure	90 to 110 PSIG (6.2 to 7.6 BAR)
Input Air Flow	15 to 30 SCFM (7.2 to 14.3 l/s) 25 SCFM nominal
Input Air Temperature	+15° to +25°C, +22°C nominal
Operating Temperature Environment	+15° to +28°C, +23°C nominal
Operating Humidity	0 to 60% RH, 45% nominal